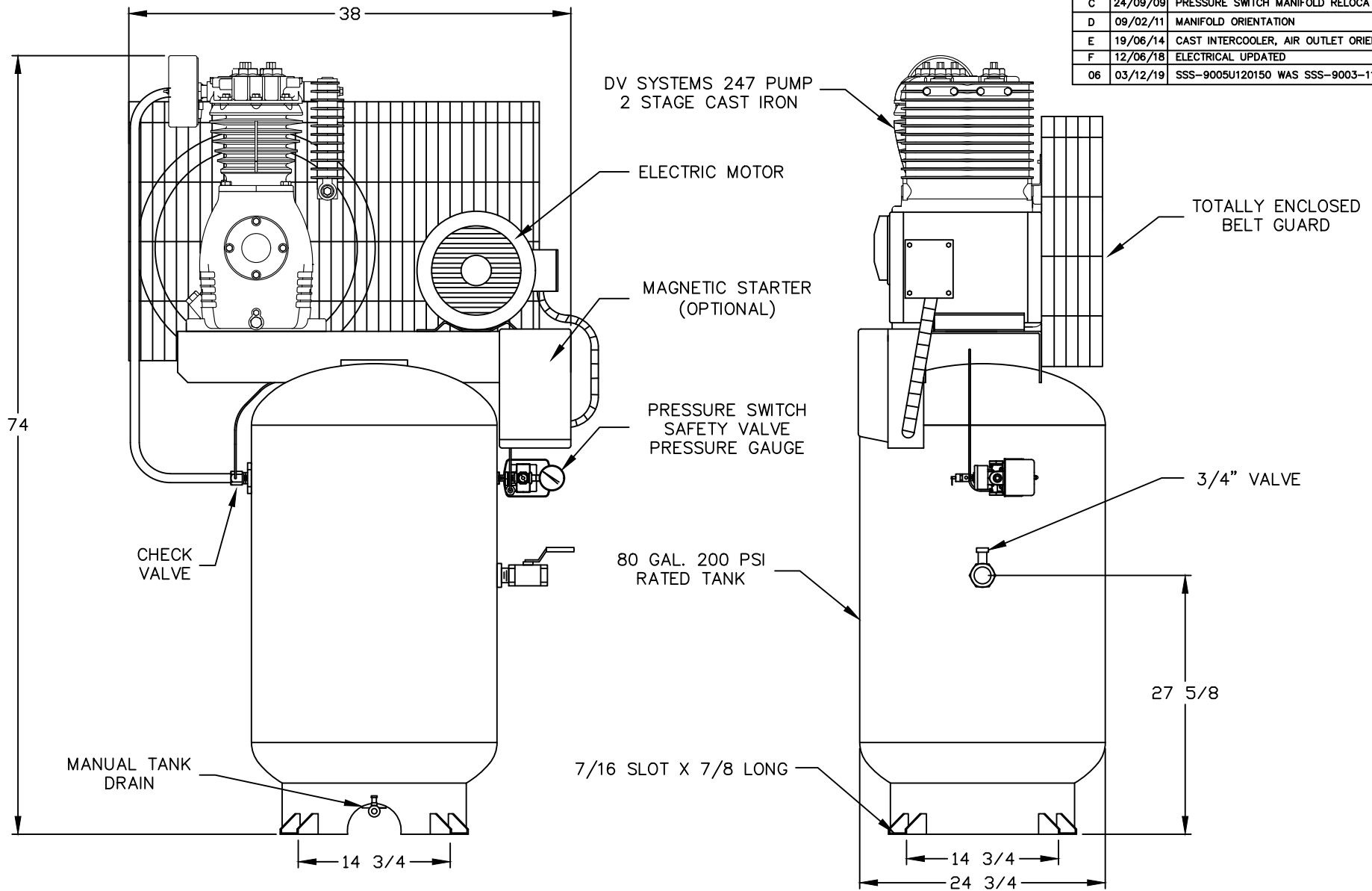


REV.	DATE	REVISION DESCRIPTION	ECN NO.
C	24/09/09	PRESSURE SWITCH MANIFOLD RELOCATED	09-02B
D	09/02/11	MANIFOLD ORIENTATION	----
E	19/06/14	CAST INTERCOOLER, AIR OUTLET ORIENTATION	----
F	12/06/18	ELECTRICAL UPDATED	----
06	03/12/19	SSS-9005U120150 WAS SSS-9003-115150	1130665



COMPRESSOR OUTFIT DATA				PRESSURE SETTING		RECEIVER CAPACITY		COMPRESSOR PUMP DATA				WEIGHT		ELECTRICAL					
MODEL	HP	DISP SCFM	DEL'Y SCFM	PSIG	KPA	GAL.	LITRS	TYPE	CYLD.	STAGE	RPM	LB.	KG.	VOLTAGE	230/1	200/3	230/3	460/3	575/3
TASV-5052	7.5	28.9	25.9	150	1034	80	302	247	2	2	800	700	317	F.L.A.	36	23.3	19.4	9.7	8

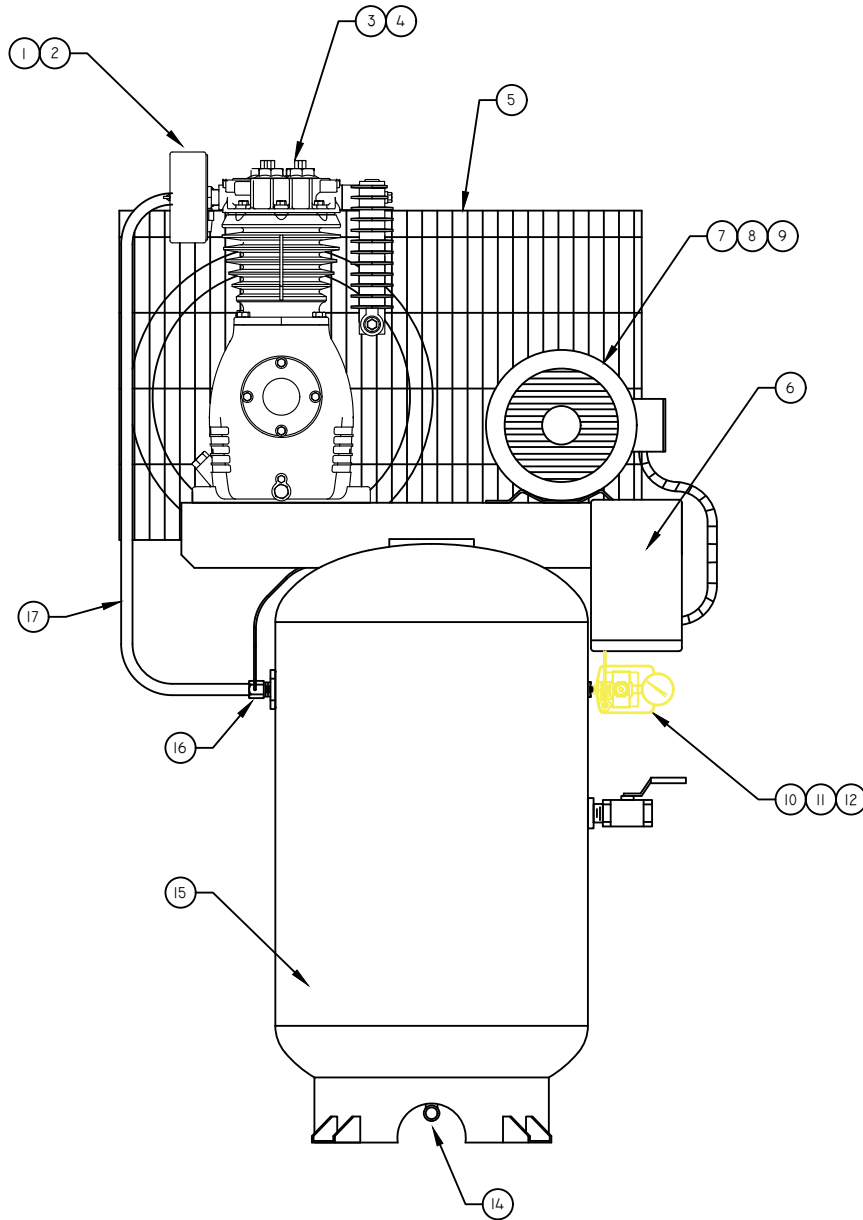
IMPORTANT NOTE: THIS PRINT IS THE CONFIDENTIAL PROPERTY OF GARDNER DENVER CANADA, CORP. IT IS NOT TO BE USED OR REPRODUCED IN ANY MANNER, NOR SUBMITTED TO OTHER PARTIES FOR EXAMINATION WITHOUT THE PRIOR APPROVAL OF GARDNER DENVER CANADA, CORP. GARDNER DENVER CANADA, CORP. IS CONTINUALLY TRYING TO IMPROVE ITS PRODUCTS, SPECIFICATIONS SUBJECT TO CHANGE WITHOUT NOTICE.

FRACTIONAL DIMENSIONS: $\pm 1/32$
 DECIMAL DIMENSION: $\pm .005$
 ANGLES: $\pm 1'$
 *UNLESS OTHERWISE SPECIFIED

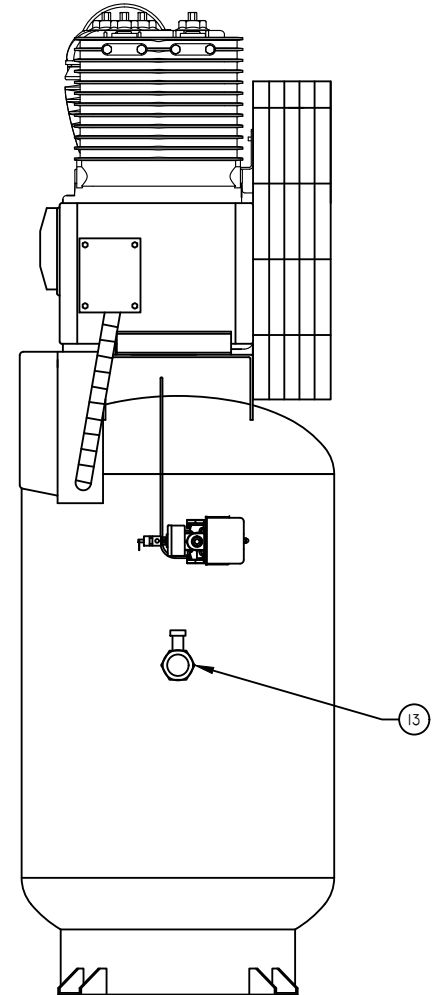


NAME OF PROJECT				DESCRIPTION OF DRAWING	
HDI PISTON COMPRESSOR				COMPRESSOR OUTFIT	
DRAWN BY		CHECKED BY		DATE	SCALE
I FILSOOFI				18 JAN. 99	N.T.S.
DRAWING NO.				SHT NO	REV
TASV-5052					06

	PART NUMBER	DESCRIPTION
1	357-9401	FILTER ASSEMBLY
2	357-9701	FILTER ELEMENT
3	247-4502	COMPRESSOR PUMP
4	432-2-1	FLYWHEEL - 20" OD
5	EG-9495	BELT GUARD
6	MS-140-03	MAG STARTER 230-60-1
	MS-340-43	MAG STARTER 200/230-60-3
	MS-340-45	MAG STARTER 460-60-3
	MS-340-69	MAG STARTER 575-60-3
7	MO-9320	MOTOR 230-60-1
	MO-6507	MOTOR 200-60-3
	MO-6535	MOTOR 230/460-60-3
	MO-6514	MOTOR 575-60-3
8	PU-9193	MOTOR PULLEY
9	BT-9042	BELTS (1 PHASE)
	BT-39	BELTS (3 PHASE)
10	SSS-9005UI20150	PRESSURE SWITCH
11	GA-250	PRESSURE GAUGE
12	TIA-5200	SAFETY VALVE 200 PSI
13	VA-9705	BALL VALVE
14	VA-9411	DRAIN VALVE
15	TA-9496-3	TANK - 80 GAL VERT
16	CCV-9406	CHECK VALVE
17	CT-9765	AFTERCOOLER TUBE



REV.	DATE	REVISION DESCRIPTION	ECN NO.
C	02.10.09	PRESSURE SWITCH MANIFOLD LOCATION	09-02B
D	09.02.11	MANIFOLD ORIENTATION	---
E	23.06.14	BELT GUARD, CAST INTERCOOLER	13-09
05	28.11.19	SSS-9005UI20150 WAS SSS-9003UI115150	1130665
FA	26.09.24	MO-9320, CT-9765 WAS MO-9033, CT-9753	1523174



IMPORTANT NOTE: THIS PRINT IS THE CONFIDENTIAL PROPERTY OF GARDNER DENVER CANADA, CORP. IT IS NOT TO BE USED OR REPRODUCED IN ANY MANNER, NOR SUBMITTED TO OTHER PARTIES FOR EXAMINATION WITHOUT THE PRIOR APPROVAL OF GARDNER DENVER CANADA, CORP. GARDNER DENVER CANADA, CORP. IS CONTINUALLY TRYING TO IMPROVE ITS PRODUCTS, SPECIFICATIONS SUBJECT TO CHANGE WITHOUT NOTICE.

FRACTIONAL DIMENSIONS: $\pm 1/32$
 DECIMAL DIMENSION: ± 0.005
 ANGLES: $\pm 1'$
 *UNLESS OTHERWISE SPECIFIED



NAME OF PROJECT				DESCRIPTION OF DRAWING	
7.5 HP SIMPLEX UNIT C/W 247 PUMP				COMPRESSOR OUTFIT	
DRAWN BY	CHECKED BY	DATE	SCALE	DRAWING NO.	SHT NO/REV
IRAJ FILSOOFI		28 APR/00	N.T.S.	TASV-5052	FA