

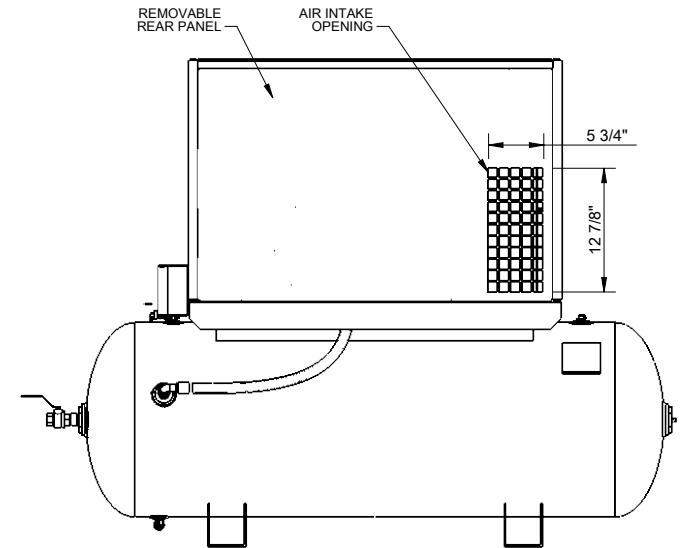
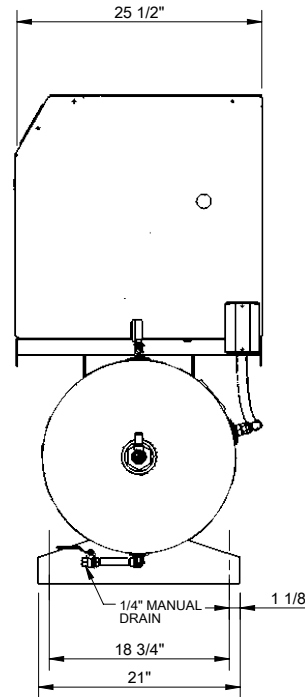
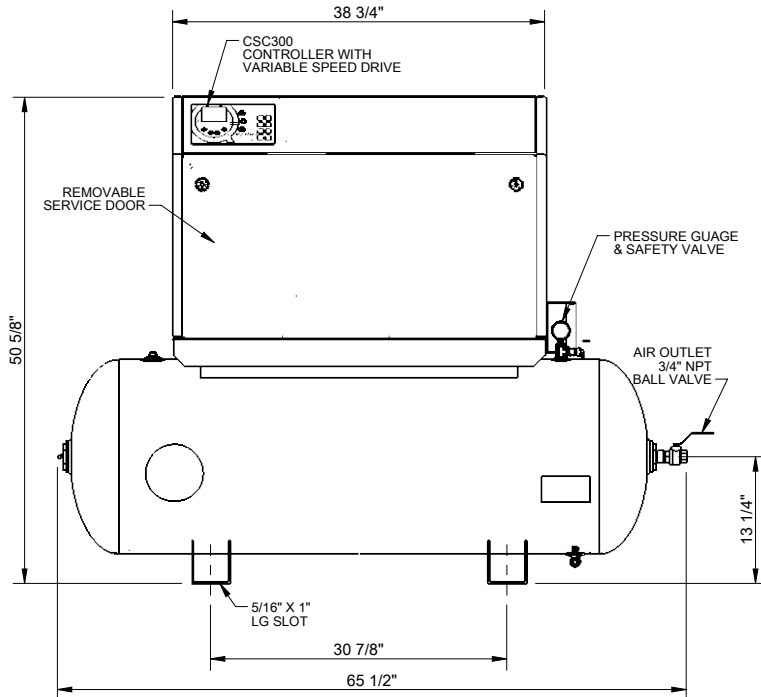
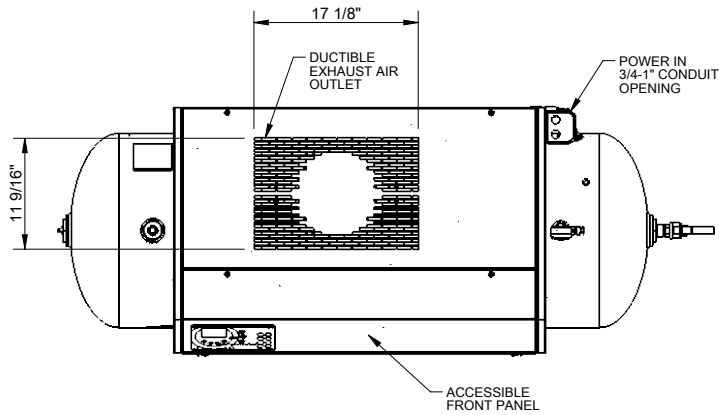
MODEL NO.	HP	PRESSURE PSI	SCFM @ 145			NOMINAL SOUND @ 1 METRE	UNIT AMP					AIR RECEIVER GAL.	WEIGHT LBS
			100% CAP.	70% CAP.	40% CAP.		1-PHASE	3-PHASE					
							230V*	200V	230V	460V	575V		
B10TVSD	10	145	37.0	25.9	14.8	68 dBA	55	38	35	15	12	80	742

*VOLTAGE VARIANCE 215V TO 235V

VOLTAGE	PHASE	FUSE TYPE	FUSE AMP
230	1	JJS/JJN	70
200	3		50
230			40
460			17.5
575			15

INSTALLATION REQUIREMENTS

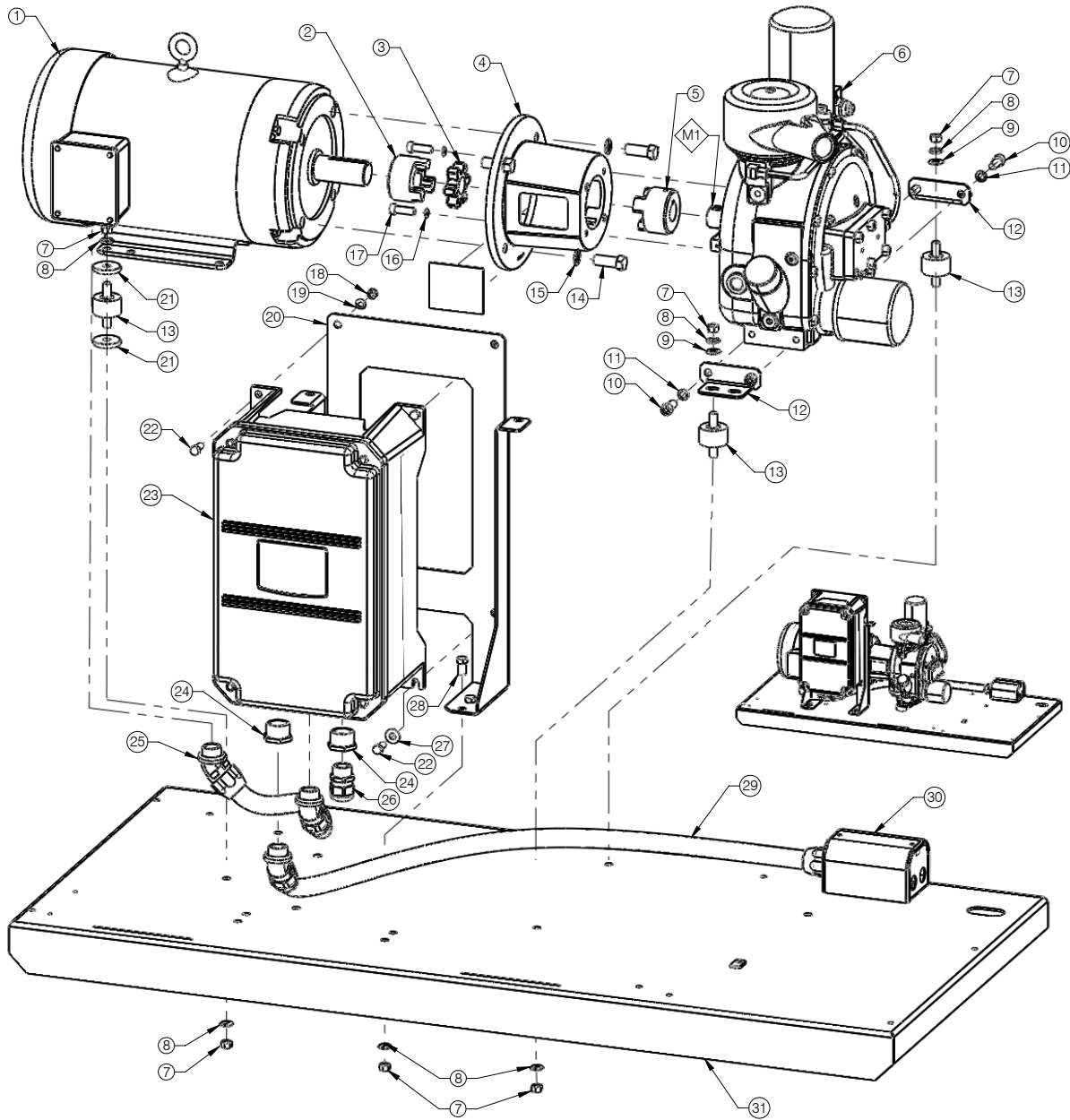
1. MAINTAIN 3 FEET DISTANCE FROM WALLS AND OTHER OBJECTS FOR PURPOSE OF COOLING AND SERVICING.
2. COMPRESSOR MUST BE LEVEL AND ANCHORED DOWN TO SOLID LEVEL FLOOR.
3. AMBIENT CONDITIONS:
10°C (50°F) MIN. 40°C (104°F) MAX.
4. APPROACH TEMP. FROM TANK 5°C (41°F)



IMPORTANT NOTE: This print is the confidential property of DV SYSTEMS, INC. It is not to be used or reproduced in any manner, nor submitted to other parties for examination without the prior approval of DV SYSTEMS, INC. DV SYSTEMS, INC. is continually trying to improve its products, specifications subject to change without notice.



NAME OF PROJECT				DESCRIPTION OF DRAWING	
B10TVSD SCREW COMPRESSOR				SALES-ENGINEERING DRAWING	
DRAWN BY	CHECKED BY	DATE	SCALE	DRAWING NO.	SHT NO/REV.
LT		1/04/16	N.T.S	B10IITVSD	



ITEM NO.	PART NUMBER	DESCRIPTION	QTY.
1	MO-9286 MO-9289 MO-9290	MOTOR 10HP 200-230/60/1,3 MOTOR 10HP 460/60/3 MOTOR 10HP 575/60/3	1
2	DSC-001617	COUPLING MOTOR 1.375" BORE	1
3	DSC-001618	COUPLING SPIDER	1
4	DSC-001614	MOTOR - AIR END ADAPTOR W/GUARD	1
5	DSC-001619	COUPLING AIR END 28MM BORE	1
6	DSC-002053	B-SERIES AIR END 24V	1
7	SS-657	3/8-16 HEX NUT	12
8	SS-1502	3/8" LOCKWASHER	12
9	SS-1525	3/8" FLAT WASHER	2
10	SS-10025	M10 X 25MM SHCS	4
11	SS-1515	M10 HC LOCKWASHER	4
12	DSC-001641	B10VS AIR END BRACKET LEFT	2
13	DSC-001330	VIBRATION ISOLATOR	4
14	SS-50	1/2-13 x 1.5" HHCS	4
15	SS-1506	1/2" MEDIUM LOCKWASHER	4
16	SS-1516	M8 HC LOCKWASHER	4
17	SS-10036	M8 X 30MM SHCS	4
18	SS-725	5/16" HEX NUT	4
19	SS-1503	5/16" LOCKWASHER	4
20	DSC-001958	B10VS VSD STAND	1
21	SS-10014	SPACER 1-9/16" DIA X .262"	4
22	SS-13	5/16-18 X 7/8" HHCS	4
23	DSC-001620 DSC-001621 DSC-001622	B10VS INVERTER 200-230V, 1-3PH B10VS INVERTER 460V, 3PH B10VS INVERTER 575V, 3PH	1
24	SS-9931	ELECTRICAL BUSHING 1" X 3/4"	2
25	MH-9022 MH-9025	B10VS MOTOR HARNESS 200-230V, 1-3PH B10VS MOTOR HARNESS 460-575V, 3PH	3
26	ACC-9003	CORD CONNECTOR C/W NUT 3/4" NPT	1
27	SS-1524	5/16" FLAT WASHER	2
28	SS-23	3/8-16 X 3/4 HHCS B/M	4
29	MH-9032 MH-9033 MH-9034 MH-9035 MH-9036 MH-9037	B10VS WIRE HARNESS 230V, 1PH (TD) B10VS WIRE HARNESS 200-230V, 3PH (TD) B10VS WIRE HARNESS 460-575V, 3PH (TD) B10VS WIRE HARNESS 230V, 1PH (T) B10VS WIRE HARNESS 200-230V, 3PH (T) B10VS WIRE HARNESS 460-575V, 3PH (T)	1
30	SS-9953	ENCLOSURE BOX	1
31	DSC-002460 DSC-002462	B10 TANK-MOUNTED W/DRYER BASE (SHOWN) B10 TANK-MOUNTED BASE	1
MAINTENANCE KIT			
M1	DSC-002055	SHAFT SEAL KIT	

REV.	DATE	REVISION DESCRIPTION	PCN NO.
G	6/10/13	B10 REDESIGN, AE TO 24V, SN 38135.38154 >	12-31
F	10/09/12	DSC-001643,45 RMVD, DSC-001958 ADDED	12-27
E	7/11/11	DSC-002054 AIR END REPLACES DSC-001683 SN. 37190 & > 37197	11-06
D	9/22/10	DSC-001680,85 RMVD, 3PH HARNESS ADDED	10-33,35



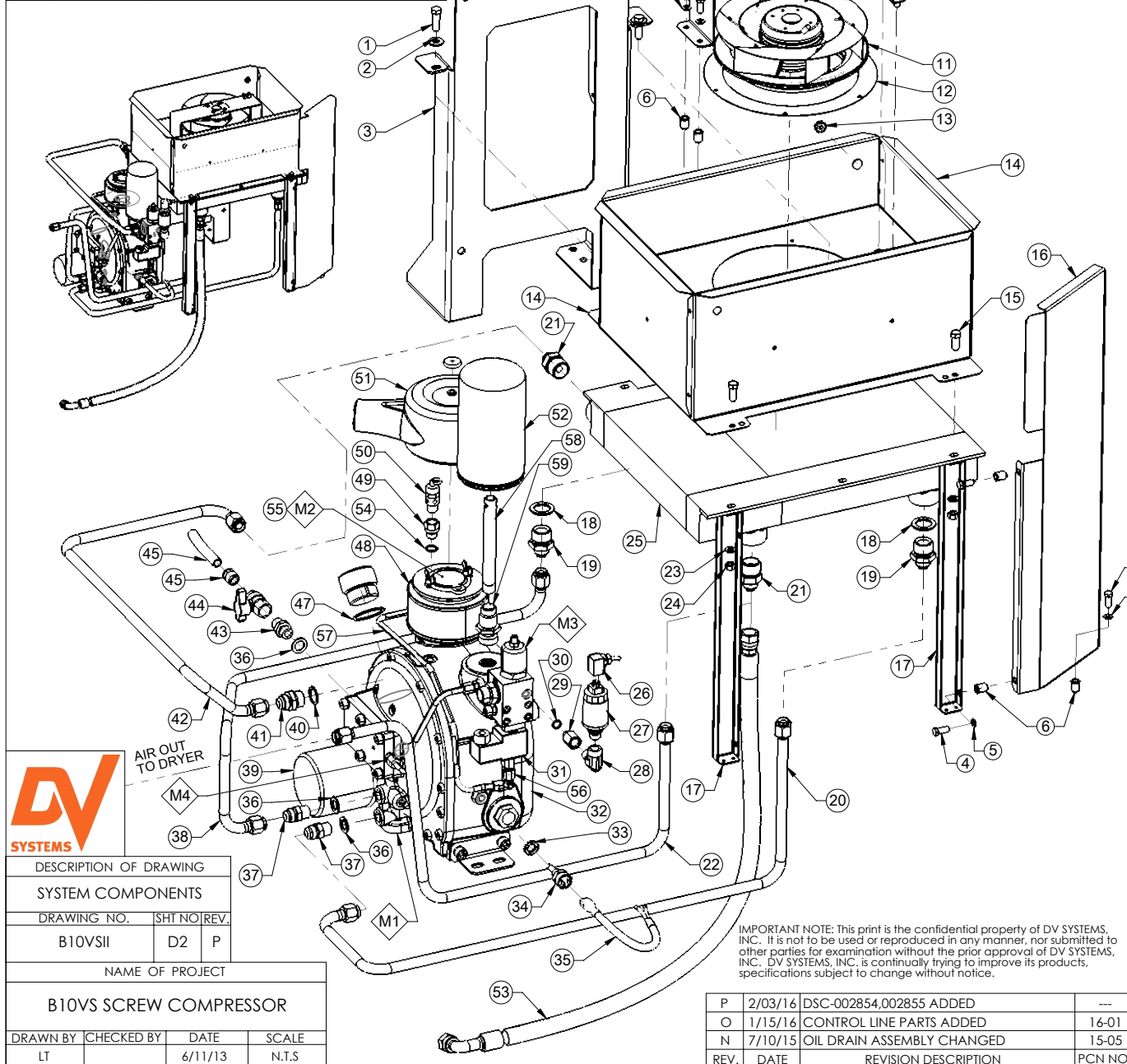
NAME OF PROJECT				DESCRIPTION OF DRAWING					
B10VS SCREW COMPRESSOR				DRIVE COMPONENTS					
				DRAWN BY	CHECKED BY	DATE	SCALE	DRAWING NO.	SHT NO/REV.
				LT		6/21/13	N.T.S	B10VSI	G

IMPORTANT NOTE: This print is the confidential property of DV SYSTEMS, INC. It is not to be used or reproduced in any manner, nor submitted to other parties for examination without the prior approval of DV SYSTEMS, INC. DV SYSTEMS, INC. is continually trying to improve its products, specifications subject to change without notice.

MAINTENANCE KITS		
NO.	PART NUMBER	DESCRIPTION
M1	DSC-002057 DSC-001711	THERMOVALVE REPAIR KIT SN. 37190 & > 37197 THERMOVALVE REPAIR KIT SN. <= 37197
M2	DSC-001712	INTAKE VALVE REPAIR KIT
M3	DSC-001713	MINIMUM PRESSURE VALVE REPAIR KIT
M4	DSC-002058	ORIFICE 1MM SN. 37190 & > 37197
---	MK-B57	2000 HOUR MAINTENANCE KIT

ITEM NO.	PART NUMBER	DESCRIPTION	QTY.
58	DSC-002855	SEPARATOR SPOUT B-SERIES II	1
59	DSC-002854	SEPARATOR FITTING B-SERIES	1

ITEM NO.	PART NUMBER	DESCRIPTION	QTY.
1	DSC-566	5/16-18 X 1-1/4" HHCS GR5, Z	2
2	SS-1524	5/16" FLAT WASHER	4
3	DSC-001958	B10VS VSD STAND	1
4	DSC-597	1/4-20 X 0.75" HHCS	7
5	SS-1505	1/4" MEDIUM LOCKWASHER	7
6	SS-02001	1/4-20 THREADED INSERT	7
7	DSC-260	M4 X 10MM SHCS	4
8	SS-9909	#10 X 1/2" SELF DRILLING SCREW	1
9	DSC-256	CABLE TIE MOUNT	1
10	DSC-001651	B10VS FAN MOUNTING BRACKET	1
11	DSC-001635	B10VS FAN	1
12	DSC-001636	FAN INLET RING	1
13	DSC-595	1/4" RUBBER GROMMET	1
14	DSC-001648	B10VS FAN ENCLOSURE	2
15	SS-13	5/16-18 X 7/8 HHCS	2
16	DSC-002467	B10VS BAFFLE	1
17	DSC-001652	B10VS COOLER SUPPORT	2
18	DSC-120	BONDED WASHER 3/4" BSPP	2
19	DSC-567	ADAPTER R3/4" - JIC8	2
20	DSC-002454	1/2" STEEL TUBE ASSEMBLY OIL OUT	1
21	DSC-572	ADAPTER 3/4"NPTM - JIC8	2
22	DSC-002457	1/2" STEEL TUBE ASSEMBLY DRYER IN (TD)	1
23	SS-1503	5/16" LOCKWASHER	4
24	SS-725	5/16" HEX NUT	4
25	DSC-001449	HEAT EXCHANGER	1
26	DSC-001366	PRESS. TRANS. CABLE CSC200300	51"
27	DSC-001237	PRESSURE TRANSDUCER CSC200300	1
28	DSC-001660	ELBOW 1/4"NPT(M) - 1/4"BSPP(F)	1
29	DSC-001659	ADAPTER 1/8"BSPPM - 1/4"NPTF	1
30	DSC-001667	COPPER SEALING RING 1/8"BSPP	1
31	DSC-001676	SOLENOID 24V	1
32	DSC-002053	B-SERIES AIR END 24V	1
33	DSC-001217	BONDED WASHER 1/4"BSPP	1
34	DSC-001238	TEMPERATURE SENSOR CSC200300	1
35	DSC-001360	TEMPERATURE PROBE CABLE CSC200300	63"
36	DSC-427	BONDED WASHER 3/8"	3
37	DSC-001563	ADAPTER 3/8"BSPPM - JIC8	2
38	DSC-002455	1/2" STEEL TUBE ASSEMBLY OIL IN	1
39	DSC-603	B5-B10 OIL FILTER	1
40	DSC-002219	COPPER WASHER 1/2"BSPP	1
41	DSC-002220	ADAPTER-SH 1/2"BSPP - JIC 8	1
42	DSC-002456	1/2" STEEL TUBE ASSEMBLY AIR OUT	1
43	DSC-002825	ADAPTER 3/8"BSPP(M) - 3/8"NPT(M)	1
44	DSC-002828	BALL VALVE 3/8" NPTF X 3/8" NPTF	1
45	DD-00091	3/8"NPT X 1/2"DIA PNEU. FITTING	1
46	R-8504	PE TUBING 1/2" OD	1
47	DSC-002258	OIL CAP O-RING B5-10	1
48	DSC-001569	B5-B10 AIR FILTER	1
49	DSC-001564	ADAPTER 1/4"BSPPM - 1/4"NPTF	1
50	TIA-5200	SAFETY VALVE 200PSI	1
51	DSC-002463	AIR FILTER HOUSING B-SERIES	1
52	DSC-002476	AIR/OIL SEPARATOR FILTER	1
53	DSC-001663	AIR OUTLET HOSE TO TANK (T)	1
54	DSC-001968	COPPER SEALING RING 1/4"BSPP	1
55	DSC-001572	B-SERIES INTAKE VALVE	1
56	DSC-002870	ELBOW FITTING B-SERIES	1
57	DSC-002871	CONTROL LINE TUBE	1



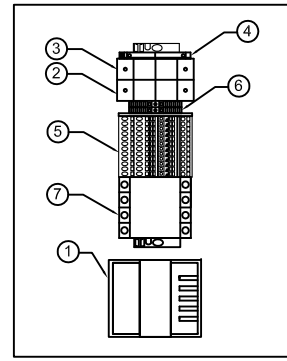
IMPORTANT NOTE: This print is the confidential property of DV SYSTEMS, INC. It is not to be used or reproduced in any manner, nor submitted to other parties for examination without the prior approval of DV SYSTEMS, INC. DV SYSTEMS, INC. is continually trying to improve its products, specifications subject to change without notice.

REV.	DATE	REVISION DESCRIPTION	PCN NO.
P	2/03/16	DSC-002854,002855 ADDED	---
O	1/15/16	CONTROL LINE PARTS ADDED	16-01
N	7/10/15	OIL DRAIN ASSEMBLY CHANGED	15-05



DESCRIPTION OF DRAWING			
SYSTEM COMPONENTS			
DRAWING NO.	SHT NO	REV.	
B10VSI	D2	P	
NAME OF PROJECT			
B10VS SCREW COMPRESSOR			
DRAWN BY	CHECKED BY	DATE	SCALE
LT		6/11/13	N.T.S

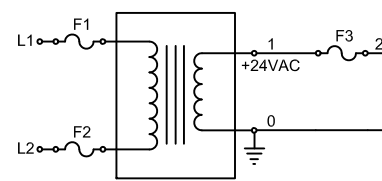
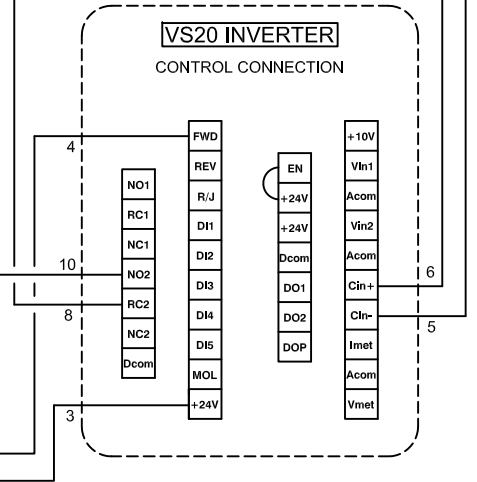
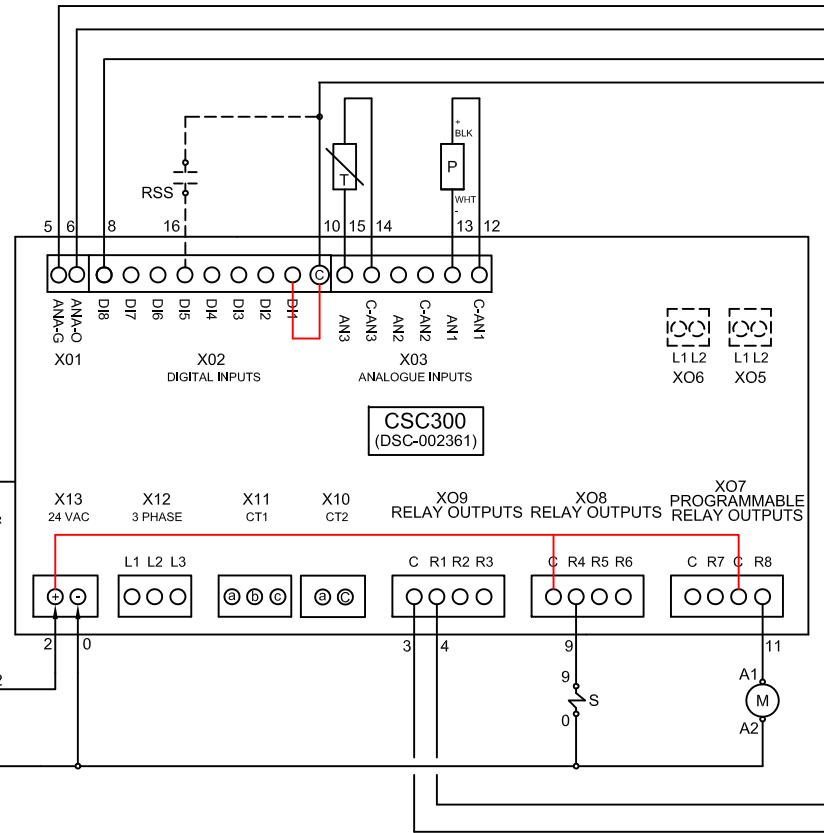
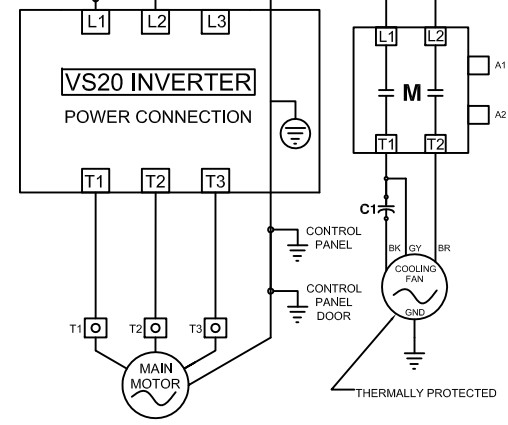
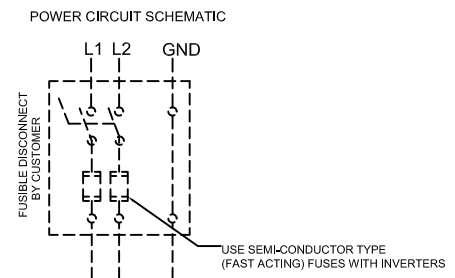
REV.	DATE	REVISION DESCRIPTION	PCN NO.
A	05/02/13	E-STOP REMOVED	
B	06/18/13	FUSE INFO UPDATED	



- PANEL SCHEMATIC
- ① TRANSFORMER
 - ② PRIMARY FUSE F1
 - ③ PRIMARY FUSE F2
 - ④ SECONDARY FUSE F3
 - ⑤ TERMINAL BLOCKS
 - ⑥ GROUND TERMINALS
 - ⑦ FAN STARTER

VOLTAGE	FUSE SIZE (AMPS)			DISCONNECT FUSE	
	CC TIME DELAY	F1	F2	FAST ACTING CLASS	AMP
230	0.75	0.75	4	JJS/JJN	70

- P - PRESSURE TRANSDUCER
- S - SOLONOID N.O.
- M - FAN STARTER
- T - TEMPERATURE SENSOR
- RSS - REMOTE START/STOP
(FIELD OPTION:
INSTALL RSS TO #16 AND #10
TERMINAL BLOCK. INSTALL WIRE
FROM #16 TO DI5. ON P18 CHANGE
P18.08 FROM 'OFF' TO 'DI REMOTE
START' AND P18.09 TO
NO/NC. ON P10 CHANGE P10.12
FROM 'KEYPAD' TO 'EQUIPMENT
DI'.)
- X07 - R7 AND R8 FOR PROGRAMMABLE
RELAY OUTPUT FUNCTION
- BR - FAN LEAD (BROWN)
- BL - FAN LEAD (BLACK)
- GY - FAN LEAD (GREY)



IMPORTANT NOTE: This print is the confidential property of DV SYSTEMS, INC. It is not to be used or reproduced in any manner, nor submitted to other parties for examination without the prior approval of DV SYSTEMS, INC. DV SYSTEMS, INC. is continuously trying to improve its products, specifications subject to change without notice.

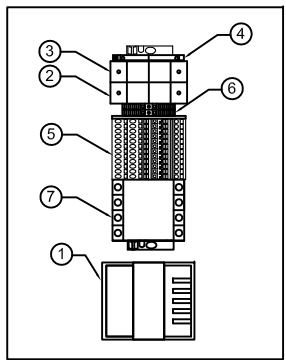
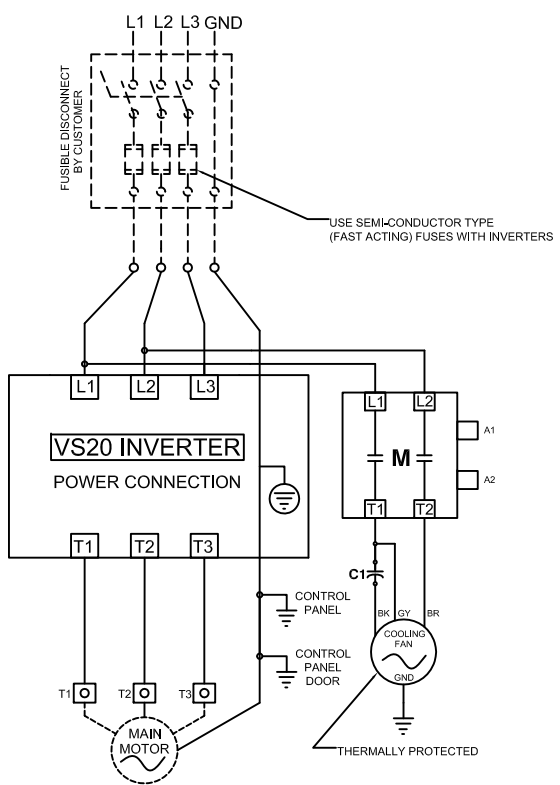
FRACTIONAL DIMENSIONS: $\pm 1/32$
 DECIMAL DIMENSION: $\pm .005$
 ANGLES: $\pm 1'$
 *UNLESS OTHERWISE SPECIFIED



NAME OF PROJECT		DESCRIPTION OF DRAWING	
B10 230V 1PH SCREW COMPRESSOR WITH CSC300 CONTROLLER		ELECTRICAL SCHEMATICS CSC300 & VS20	
DRAWN BY	CHECKED BY	DATE	SCALE
E.H		11/13/14	N.T.S.
DRAWING NO.		SHT NO/REV	
CSC300-B10-230V		B	

REV.	DATE	REVISION DESCRIPTION	PCN NO.

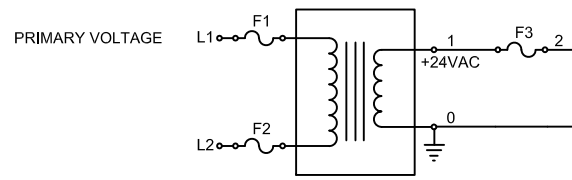
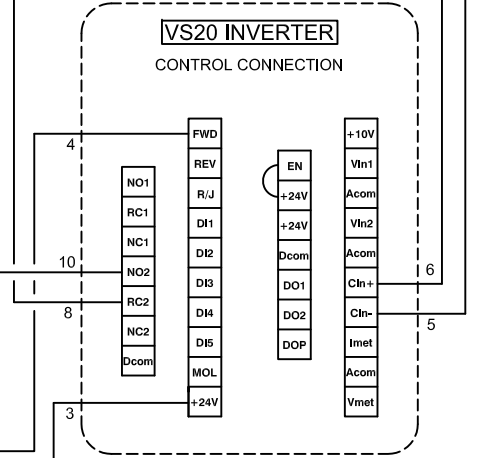
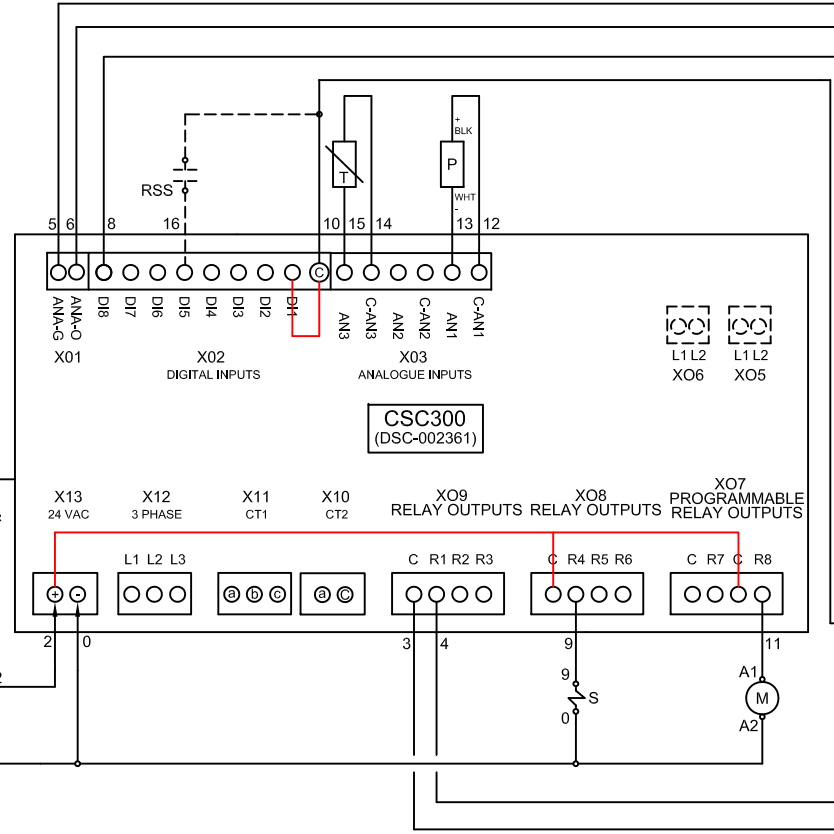
POWER CIRCUIT SCHEMATIC



- PANEL SCHEMATIC
- ① TRANSFORMER
 - ② PRIMARY FUSE F1
 - ③ PRIMARY FUSE F2
 - ④ SECONDARY FUSE F3
 - ⑤ TERMINAL BLOCKS
 - ⑥ GROUND TERMINALS
 - ⑦ FAN STARTER

VOLTAGE	FUSE SIZE (AMPS)			DISCONNECT FUSE	
	CC TIME DELAY		SMM TIME DELAY	FAST ACTING CLASS	
	F1	F2	F3	TYPE	AMP
200	0.75	0.75	4	JJS/JJN	50
230	0.75	0.75	4	JJS/JJN	40

- P - PRESSURE TRANSDUCER
 - S - SOLONOID N.O.
 - M - FAN STARTER
 - T - TEMPERATURE SENSOR
 - RSS - REMOTE START/STOP, N/O
- (FIELD OPTION:
INSTALL RSS TO #16 AND #10
TERMINAL BLOCK. INSTALL WIRE
FROM #16 TO DI5. ON P18 CHANGE
P18.08 FROM 'OFF' TO 'DI REMOTE
START'. ON P10 CHANGE P10.12
FROM 'KEYPAD' TO 'EQUIPMENT
DI'.)
- X07 - R7 AND R8 FOR PROGRAMMABLE
RELAY OUPUT FUNCTION
 - BR - FAN LEAD (BROWN)
 - BK - FAN LEAD (BLACK)
 - GY - FAN LEAD (GREY)



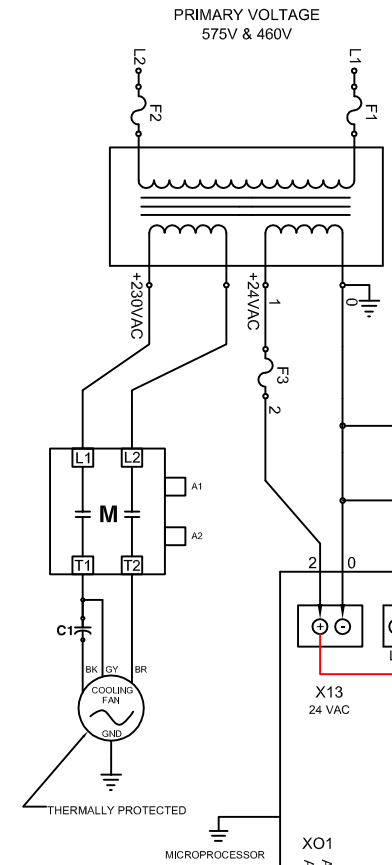
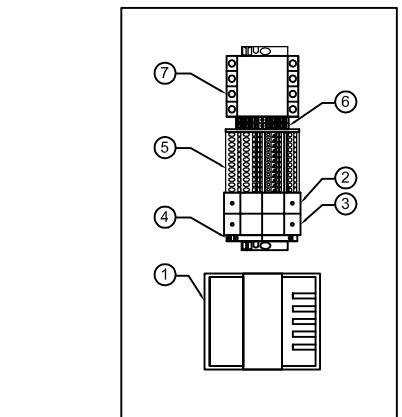
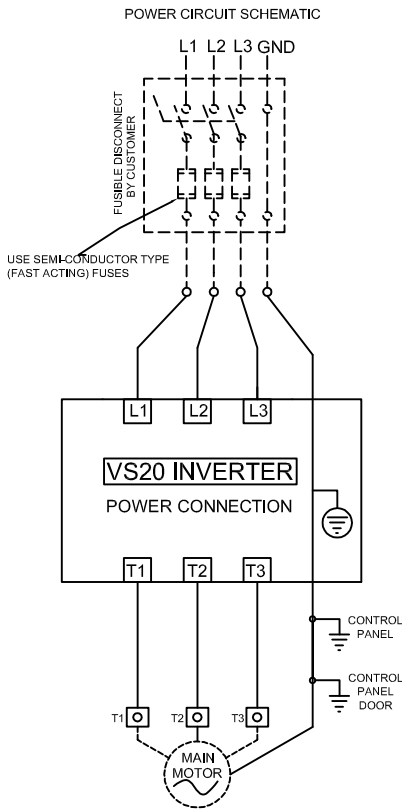
IMPORTANT NOTE: This print is the confidential property of DV SYSTEMS, INC. It is not to be used or reproduced in any manner, nor submitted to other parties for examination without the prior approval of DV SYSTEMS, INC. DV SYSTEMS, INC. is continuously trying to improve its products, specifications subject to change without notice.

FRACTIONAL DIMENSIONS: ±1/32
DECIMAL DIMENSION: ±.005
ANGLES: ±1°
*UNLESS OTHERWISE SPECIFIED

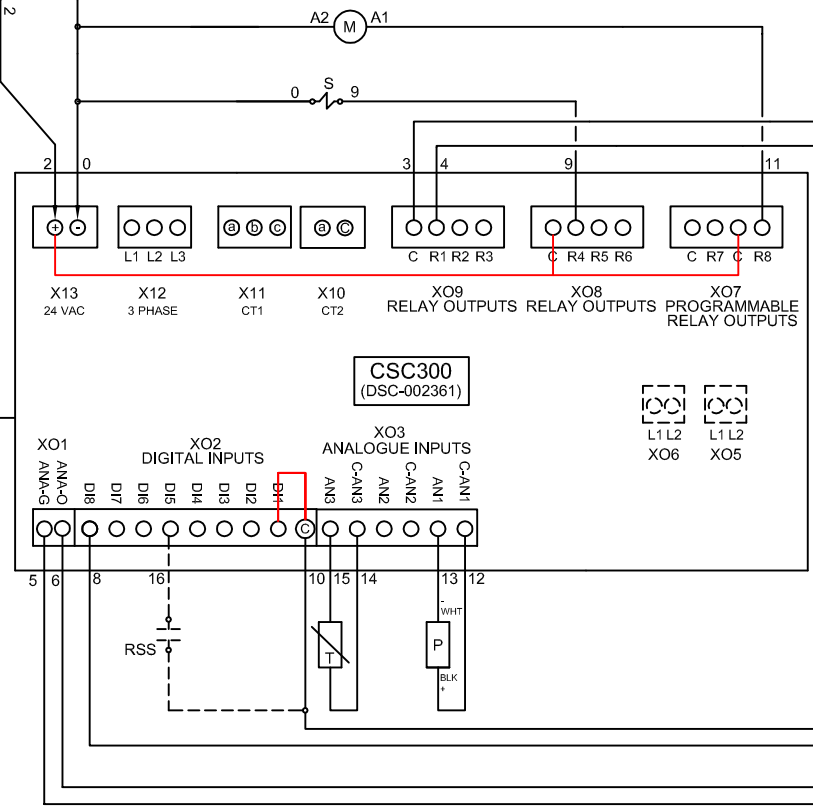


NAME OF PROJECT				DESCRIPTION OF DRAWING		
B10 200V 200V&230V 3PH SCREW COMPRESSOR WITH CSC300 CONTROLLER				ELECTRICAL SCHEMATICS CSC300 & VS20		
DRAWN BY				DRAWING NO.		SHT NO
CHECKED BY				DATE		REV
E.H		11/13/14		SCALE		N.T.S.
CSC300-B10-200V						

REV.	DATE	REVISION DESCRIPTION	PCN NO.
A	12/05/14	DISCONNECT FUSE UPDATED	14-32



VOLTAGE	FUSE SIZE (AMPS)			DISCONNECT FUSE	
	CC TIME DELAY	5MM TIME DELAY		TYPE	AMP
	F1	F2	F3		
460	0.75	0.75	4	JJS/JJN	17.5
575	0.75	0.75	4	JJS/JJN	15



- P - PRESSURE TRANSDUCER
- S - SOLENOID N.O.
- M - FAN STARTER
- T - TEMPERATURE SENSOR
- RSS - REMOTE START/STOP (FIELD OPTION: INSTALL RSS TO #16 AND #10 TERMINAL BLOCK. INSTALL WIRE FROM #16 TO DI5. ON P18 CHANGE P18.08 FROM 'OFF' TO 'DI REMOTE START'. ON P10 CHANGE P10.12 FROM 'KEYPAD' TO 'EQUIPMENT DI'.)
- XO7 - R7 AND R8 FOR PROGRAMMABLE RELAY OUTPUT FUNCTION
- BR - FAN LEAD (BROWN)
- BK - FAN LEAD (BLACK)
- GY - FAN LEAD (GREY)

- PANEL SCHEMATIC
- ① TRANSFORMER
 - ② PRIMARY FUSE F1
 - ③ PRIMARY FUSE F2
 - ④ SECONDARY FUSE F3
 - ⑤ TERMINAL BLOCKS
 - ⑥ GROUND TERMINALS
 - ⑦ FAN STARTER

IMPORTANT NOTE: This print is the confidential property of DV SYSTEMS, INC. It is not to be used or reproduced in any manner, nor submitted to other parties for examination without the prior approval of DV SYSTEMS, INC. DV SYSTEMS, INC. is continuously trying to improve its products, specifications subject to change without notice.

FRACTIONAL DIMENSIONS: ±1/32
 DECIMAL DIMENSION: ±.005
 ANGLES: ±1°
 *UNLESS OTHERWISE SPECIFIED



NAME OF PROJECT				DESCRIPTION OF DRAWING			
B10 200V 460V&575V 3PH SCREW COMPRESSOR WITH CSC300 CONTROLLER				ELECTRICAL SCHEMATICS CSC300 & VS20			
DRAWN BY				DRAWING NO.			
CHECKED BY				SHT NO			
DATE				REV			
SCALE							
E.H				11/13/14			
N.T.S.				CSC300-B10-460-575			
				A			